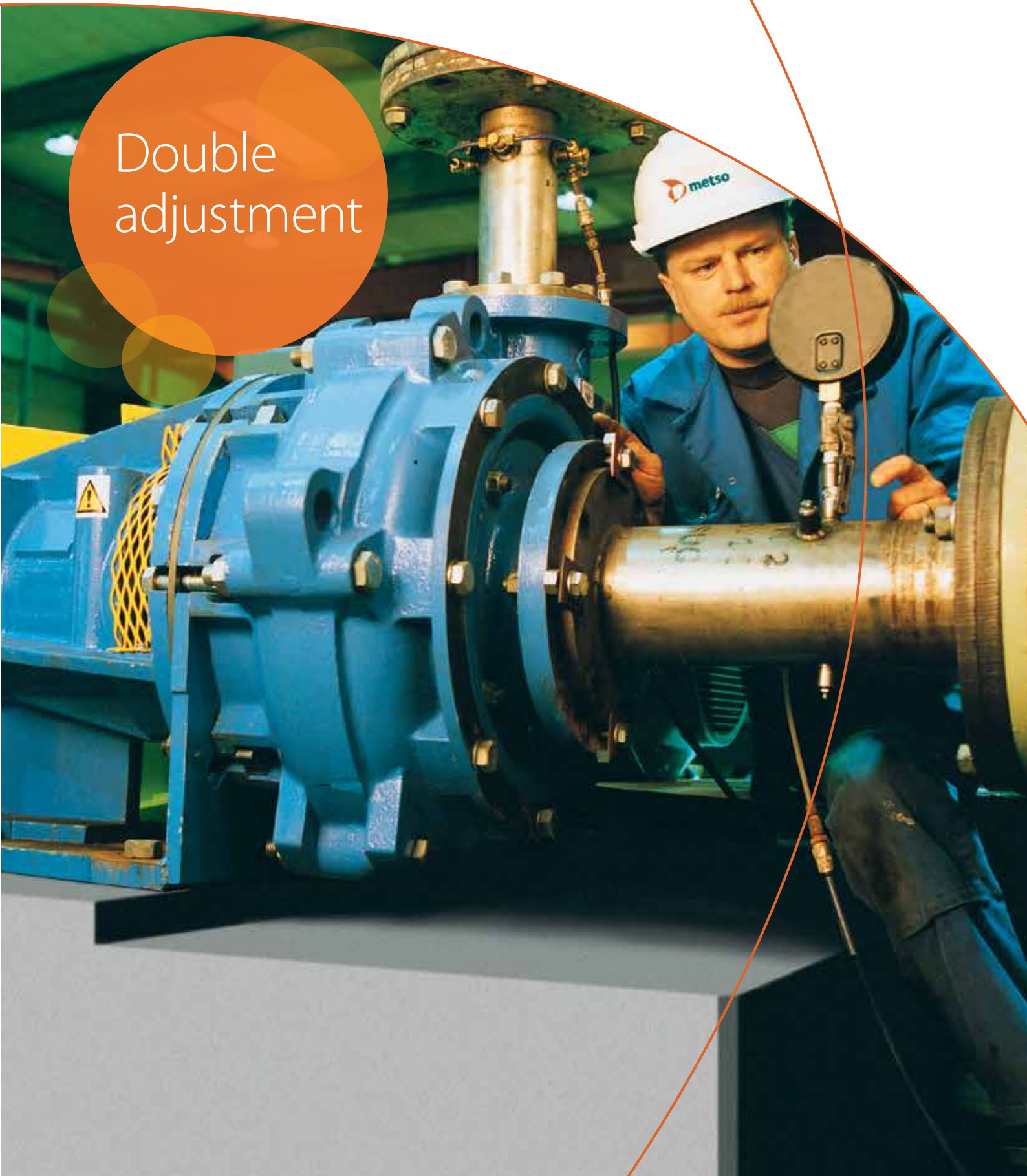
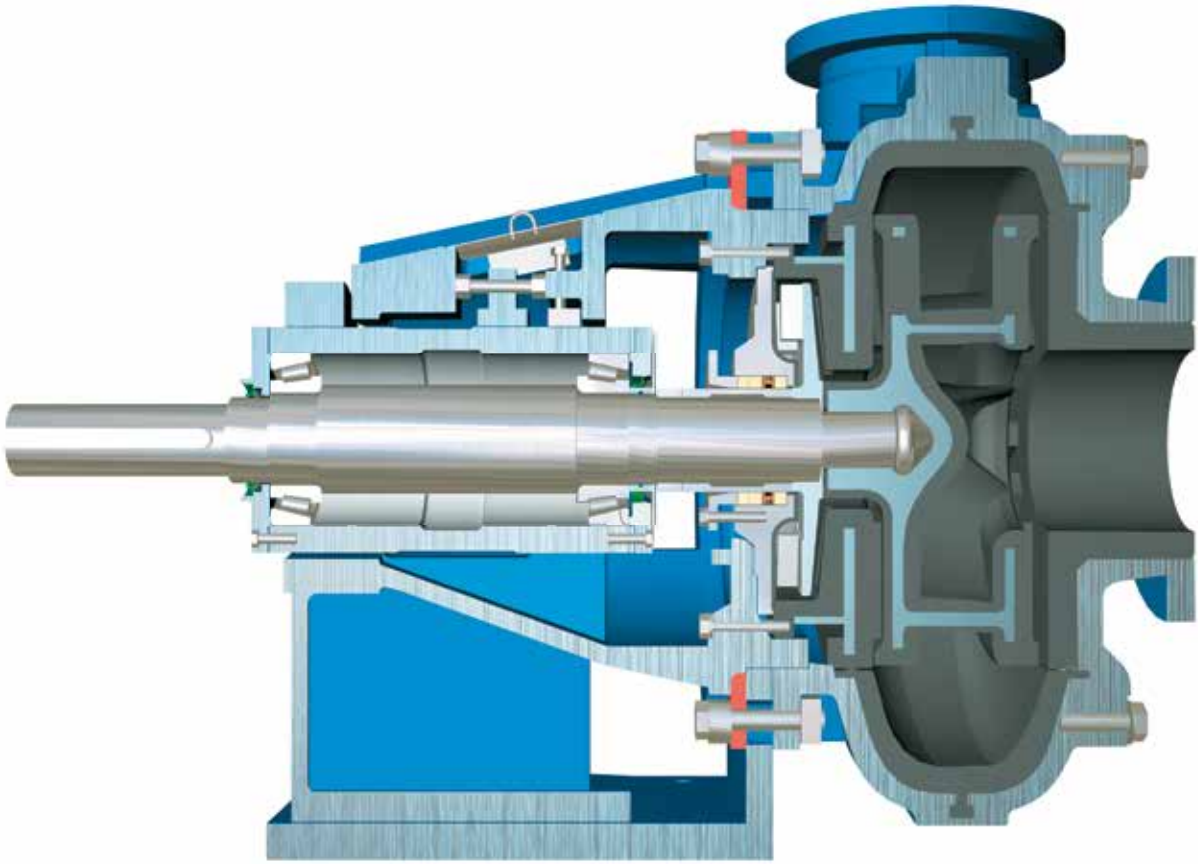


The Orion series of  
Heavy & mining duty horizontal  
slurry pumps



Double  
adjustment





HR 150

### The Orion series of

# Heavy and mining duty rubber lined and me

The Metso heavy (HM, HR) and mining (MR, MM) duty horizontal slurry pumps offer a wide range of world class rubber lined and hard metal slurry pumps for abrasive pumping applications.

#### Lowest total cost

Our focused product development combined with over 60 years of experience from thousands of applications has led to continuous improvements in our products.

The benefits to customers are numerous but the most significant is the life time cost saving that will be achieved by using Orion horizontal slurry pumps.

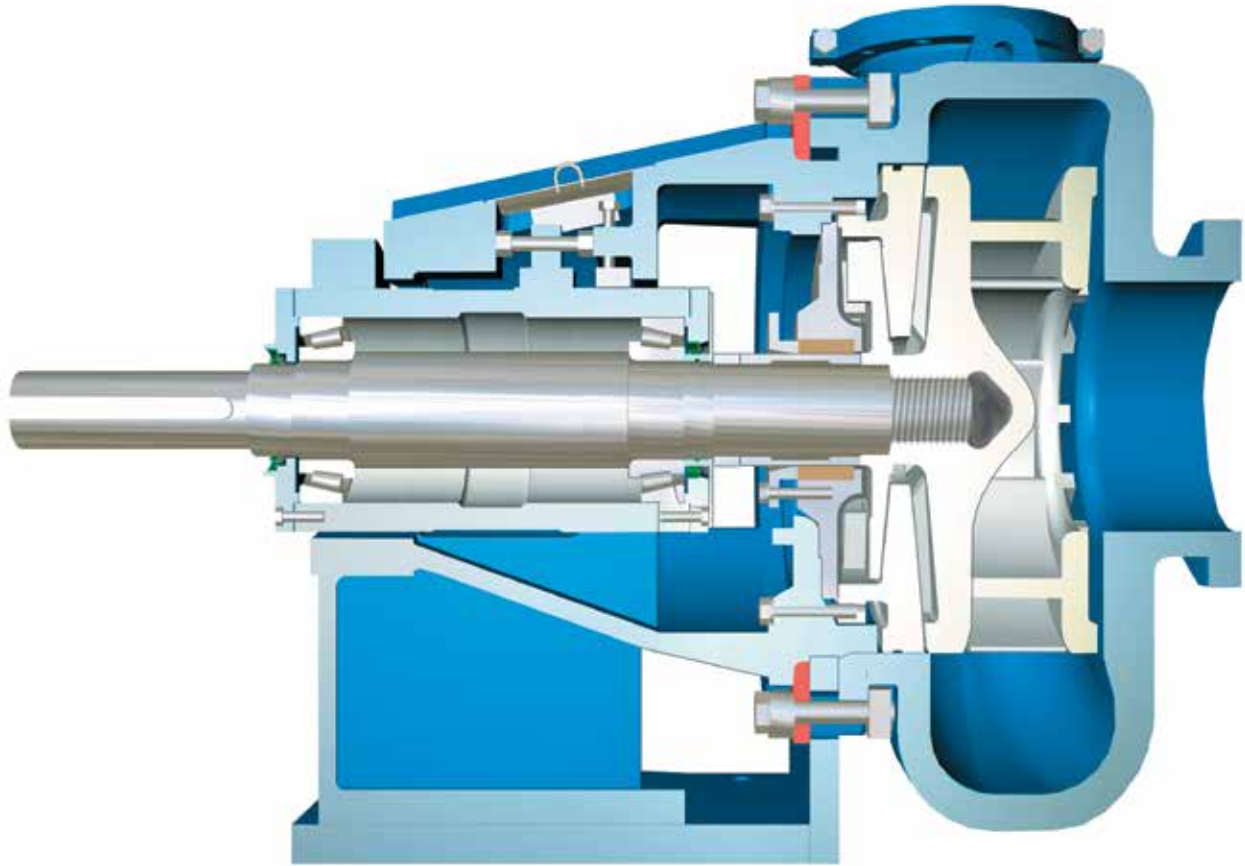
#### Low power consumption

- High efficiency hydraulic design ensures optimal power utilization
- Range optimization ensures operation close to the best efficiency point
- Use of fluid dynamic software to improve pump hydraulic efficiency
- 3-D computer design technology for development of hydraulic and mechanical components

#### Long wear life

- Wear parts of highest quality hard metal, rubber and corrosion-resistant materials
- Robust design with extra thick sections at known points of wear
- Highest quality of wear resistant elastomers developed by Metso

- Interchangeability of hard metal and elastomer parts to provide the best solution for each individual application
- Optional special materials available on request
- Careful application at best efficiency point and selection of wear-resistant material give even wear and long life



HM 150

## Horizontal slurry pumps, double adjusted

### Reliability in operation

Specially developed features in our pumps provide trouble-free operation and a minimum downtime improving the cost effectiveness of the operation:

- Oversized high strength alloy steel shaft is carried in heavy duty grease lubricated bearings in a self-contained cartridge assembly
- Double seal arrangement provides positive seal of bearings against contamination
- Proven and reliable gland seal options to meet individual requirements, using expellers, flushed glands or mechanical seals
- Modular design and full interchangeability of parts minimizes stock levels
- Back pull out feature allows ease of inspection and maintenance
- Compact and functional design
- Metso pumps and parts are manufactured under total quality management and all our production units are ISO certified.

### Typical applications

- Mining and mineral processing
- Highly abrasive slurries
- SAG and AG mill discharge recirculation duties
- Cyclone feed
- Mine refuse and tailings
- Industrial processing
- Coal and power plant ash
- Sand and gravel
- Mining duty abrasive slurries
- In-plant slurry transfer pumps
- Pulp & paper
- Lime slurry
- Alumina
- Fertilizer
- Acid Neutralization

**Total impeller wear clearance adjustment**

Closing both back and front impeller running clearances permits optimum continuous performance of the pump. All adjustments can be made on installed pumps without disassembly.

**Back pull-out design**

Designed for ease of maintenance.

**Taper roller bearings**

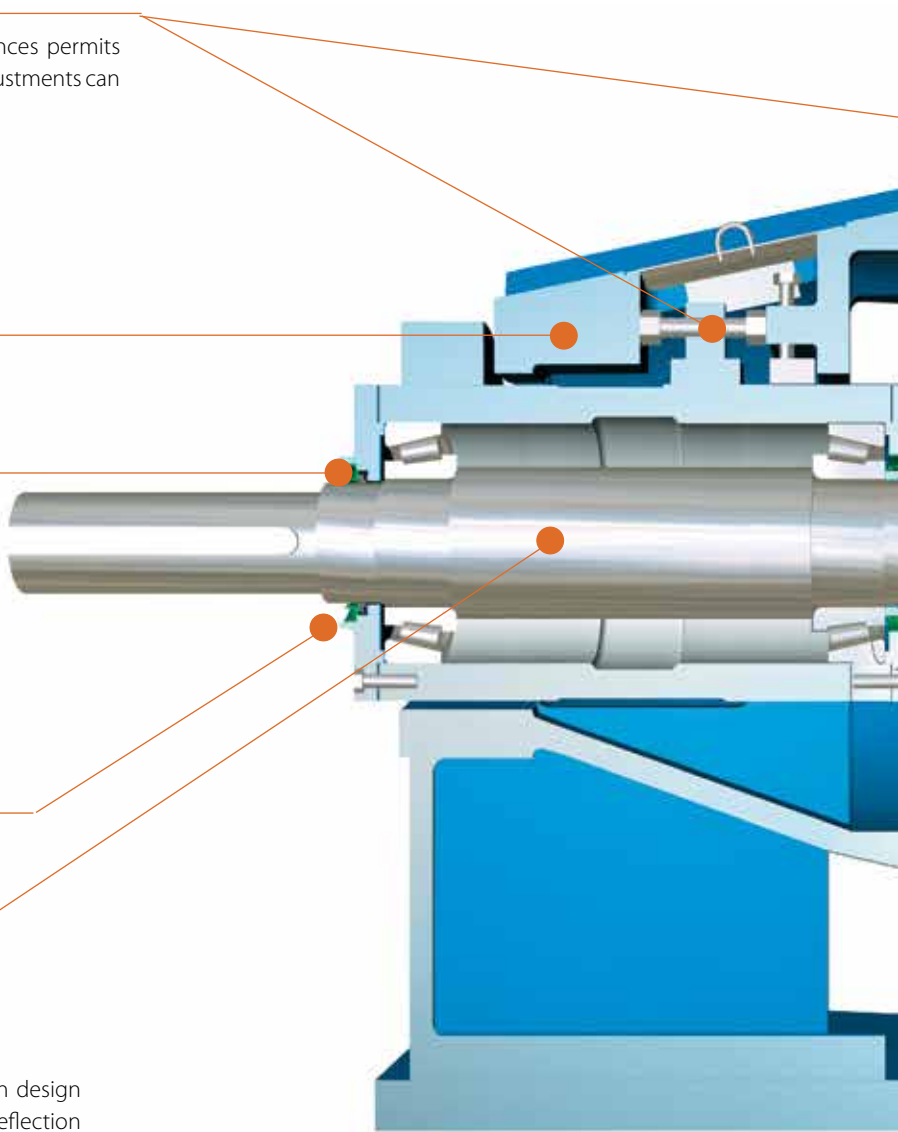
Heavy duty grease lubricated bearings in a sealed cartridge designed for maximum bearing life. Double bearing arrangements available.

**Seals**

Double sealed with V-ring protected lip seal to ensure reliable operation.

**Heavy duty shaft**

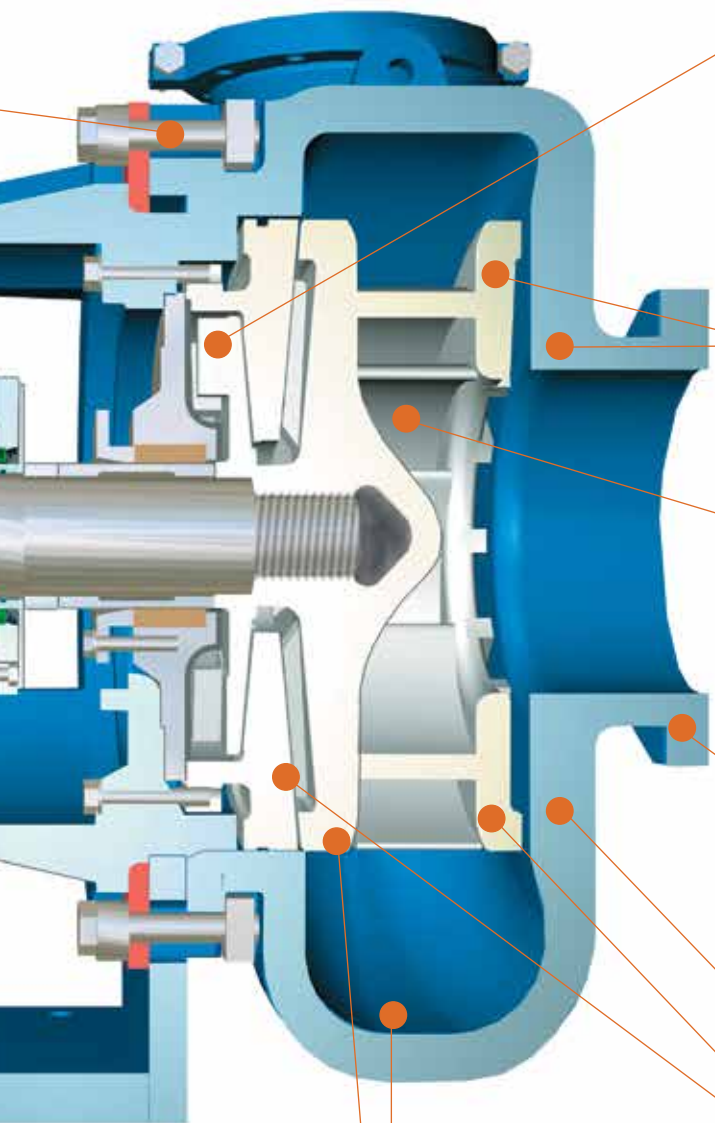
Designed for tough services. High power transmission design with reduced impeller overhang for minimum shaft deflection and a maximum pump life.



**Standard materials of construction\***

| Standard materials of construction* |                                      |                                   |                                    |                               |  |                                   |                              |                         |
|-------------------------------------|--------------------------------------|-----------------------------------|------------------------------------|-------------------------------|--|-----------------------------------|------------------------------|-------------------------|
| <b>Metal Standard</b>               | <b>Casing</b><br>HighChrome          | <b>Impeller</b><br>HighChrome     | <b>Back liner</b><br>HighChrome    | <b>Expeller</b><br>HighChrome | <b>Expeller ring</b><br>HighChrome     | <b>Shaft sleeve</b><br>HighChrome | <b>Shaft</b><br>Carbon steel | <b>Seals</b><br>Nitrile |
| <b>Rubber Standard</b>              | <b>Case liners</b><br>Natural rubber | <b>Impeller</b><br>Natural rubber | <b>Backliner</b><br>Natural rubber | <b>Expeller</b><br>HighChrome | <b>Expeller ring</b><br>Natural rubber | <b>Shaft sleeve</b><br>HighChrome | <b>Shaft</b><br>Carbon steel | <b>Seals</b><br>Nitrile |

\*Consult factory for available options



**Centrifugal seal arrangement**

The expeller generates a high head and works in conjunction with expelling back vanes of the impeller to provide a highly effective seal against positive inlet heads without gland leakage. Performance improves with wear clearance adjustment at the back of the impeller. Abrasion resistant materials ensure wear life equivalent to the pump. Four rings of grease-lubricating packing, seal the pump while stationary.

**Even wear design**

Case and impeller are matched for minimum hydraulic turbulence for longer and more equally distributed impeller and case wear life.

**Impeller design**

Partial mixed flow main vanes reduce hydraulic shock losses at the suction eye. Large diameters and strategic mass distribution permit high head and high performance at slow speeds without the sacrifice of efficiency.

**ANSI / Metric flanges as required**

Suction and discharge flanges are split on all HM and MM pumps for optional flange configurations, ease of pipe connection and alignment. Rubber lined pumps have slotted flanges to allow most metric or ANSI flanges.

**Wear resistant castings**

Strict metallurgical control and casting integrity with extra metal at known areas of severe wear.

**Front and back expeller vanes**

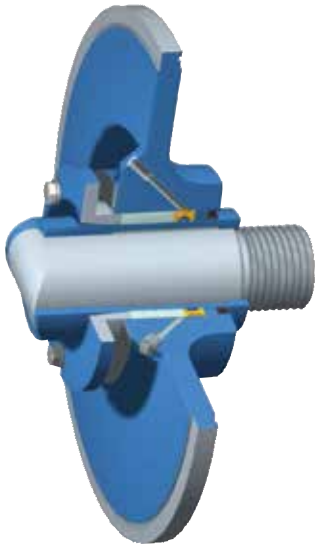
Double adjustment feature permits the use of narrow expelling vanes greatly reducing internal recirculation with minimal energy consumption.

**Wet ends**

Hard metal and rubber lined wet ends available.

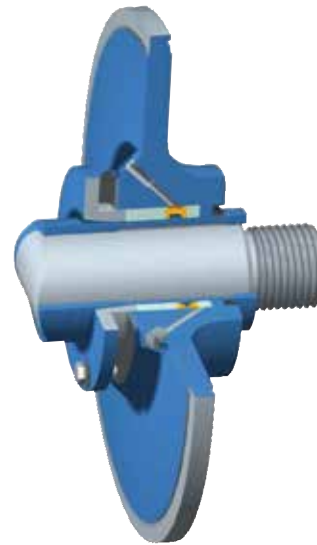
## Shaft sealing options

Combined low flow / full flow stuffing box design can be built for either low or full flow options by changing the arrangement of the lantern ring, packing and flush connections.



### Full flow

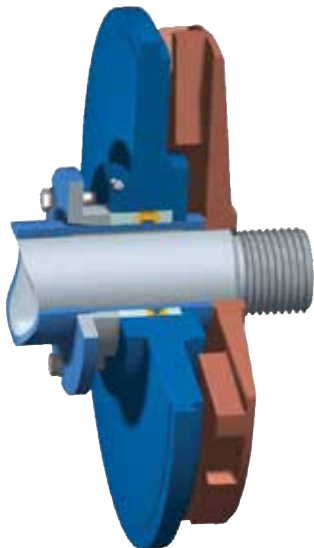
Use for suction conditions not suitable for centrifugal sealing when product dilution is not important. Full flow provides the longest packing wearing life. The lantern ring is placed in the bottom of the stuffing box while the box is protected by a lip seal to avoid damage from temporary concentrate variations.



### Low flow

Use for suction conditions not suitable for centrifugal sealing when product dilution needs to be minimized. One ring of packing is placed in front of the lantern ring.

The expeller is not used on flushed seal assemblies.



### Standard expeller shaft seal

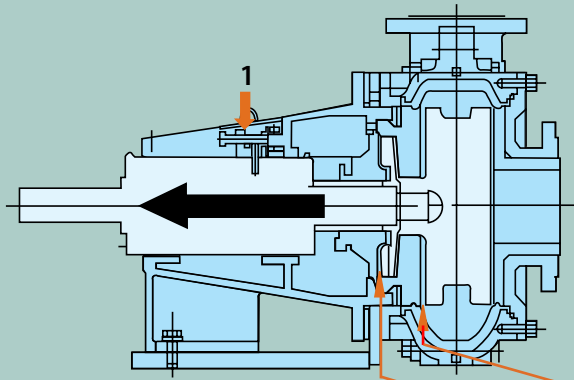
Used for no product dilution against positive suction head without leakage. The standard pump has a primary high performance hydrodynamic expeller dry seal which seals the shaft when the pump is running. A secondary, packed gland seal stops leakage when the pump is not running.



### Metso slurry mechanical seal

Used for zero stuffing box leakage or product dilution. Available as single slurry type mechanical seal or double mechanical seal with external barrier fluid required. It is possible to use dead-end flush on the double seal.

## Double adjustment features



The total impeller wear clearance adjustment is a patented design feature. The procedure of closing the back and front impeller clearances permits constant performance of the pump throughout the normal wear life of all components. This simple operation is illustrated in the two steps shown below and can be performed in minutes on site pump without disassembling the pump.

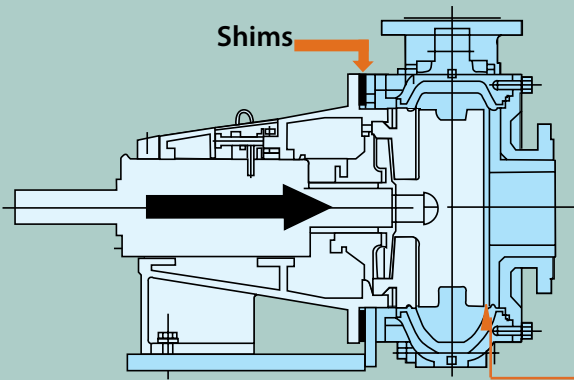
### Step 1. Adjust impeller back-side clearance

Impeller back clearance and centrifugal seal adjustment is achieved by adjusting the screw on the bearing cylinder housing. The bearing cylinder housing, shaft and impeller move back in order to close the impeller back clearance.

Double adjustment can also be made on low flow, full flow and mechanical seal arrangements.

Back clearance

Centrifugal seal clearance



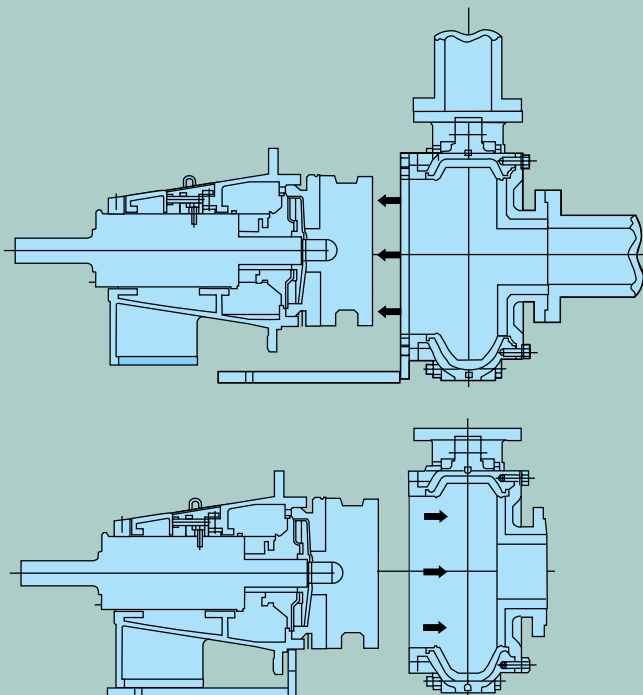
### Step 2. Adjust impeller front-side clearance

Impeller front clearance is made by removal of casing half-shims and retightening casing bolts. This also acts as a visual wear indicator. The entire power frame moves forward to close the impeller front clearance.

Once all the shims are removed, the pump can still be operated as a single adjust build.

Front clearance

## Back and front pull-out design



### Back pull-out design

For normal routine inspection or repair, the bearing frame and rotating element can be removed as a unit. Impeller, piping and gland seal component renewal can be carried out rapidly.

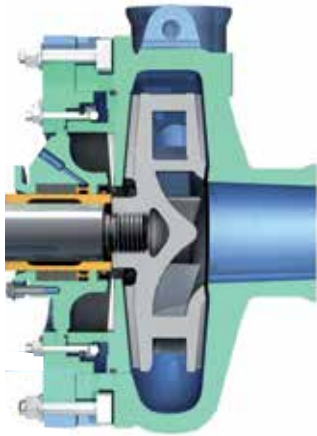
### Front pull-out design

For casing only renewal, or if back pull-out is not convenient, the front pull-out feature can be used after pipe work removal.

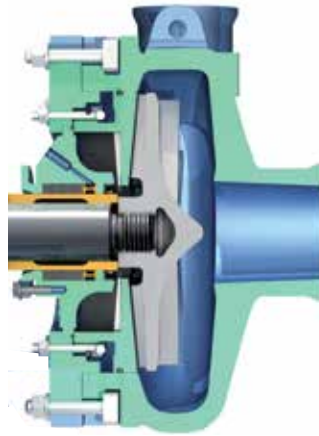




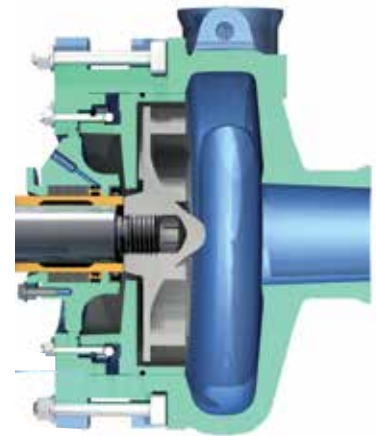
### Standard closed impeller:



### Induced flow (Vortex) impeller:



### Fully recessed induced flow (Vortex) impeller:



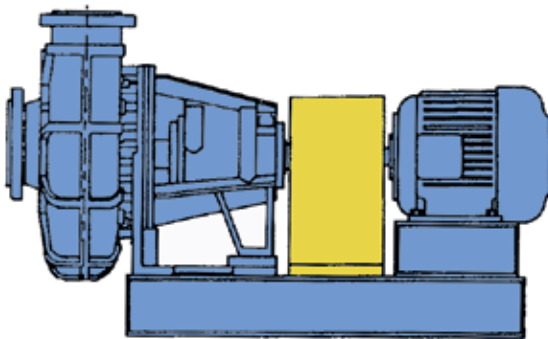
### The Orion series of pumps can also be supplied in a variety of specialty configurations:

- HP - High Pressure - same as HM with heavier duty case for higher pressure.
- HG - Heavy-duty Gravel - suction and discharge flanges are the same size and impeller has less vanes to pass larger material size.
- HT - Heavy-duty Tunneling - same as HM with special 90° elbow cast into the casing.
- HH - High Head - Larger diameter impeller for a given flange sizes.
- HMPT - High Pressure and Temperature - HM pump with a metal liner inside a cast steel casing.

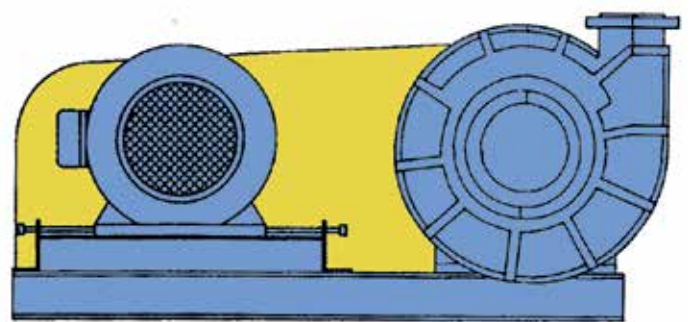
Contact your local Pump Solutions product support team for additional information.

### Available motor arrangements

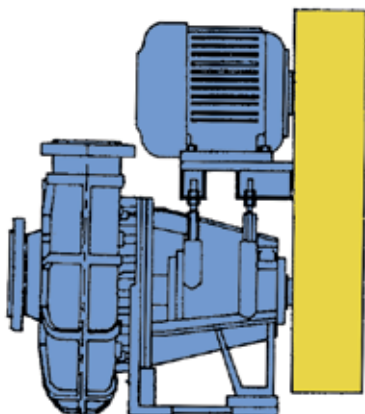
Direct drive



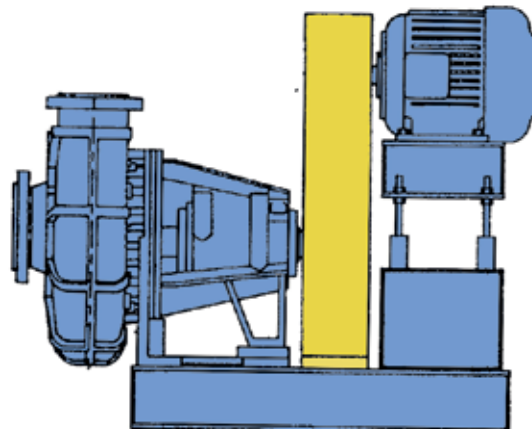
Side mounted



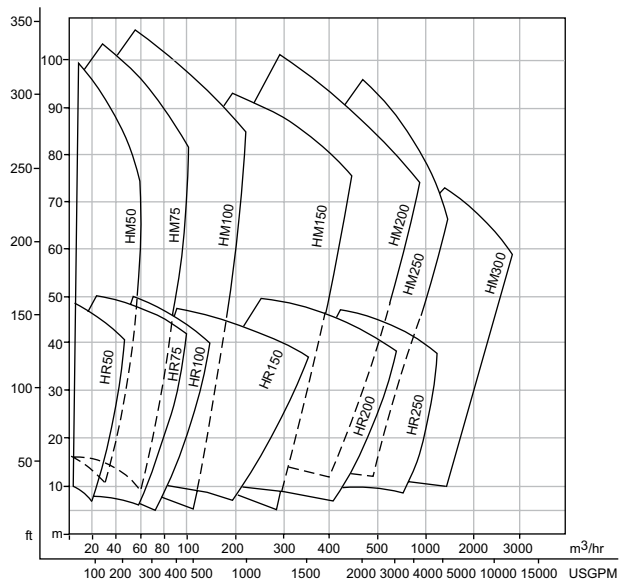
Overhead mounted



Reverse overhead mounted

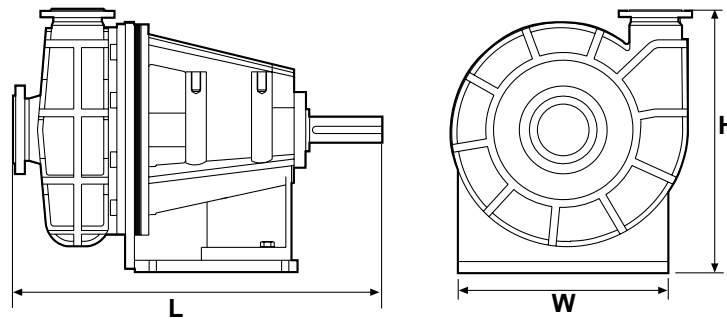


# Selection of pump size for the heavy duty rubber lined and hard metal slurry pumps



## Pump dimensions

Double adjustment frame

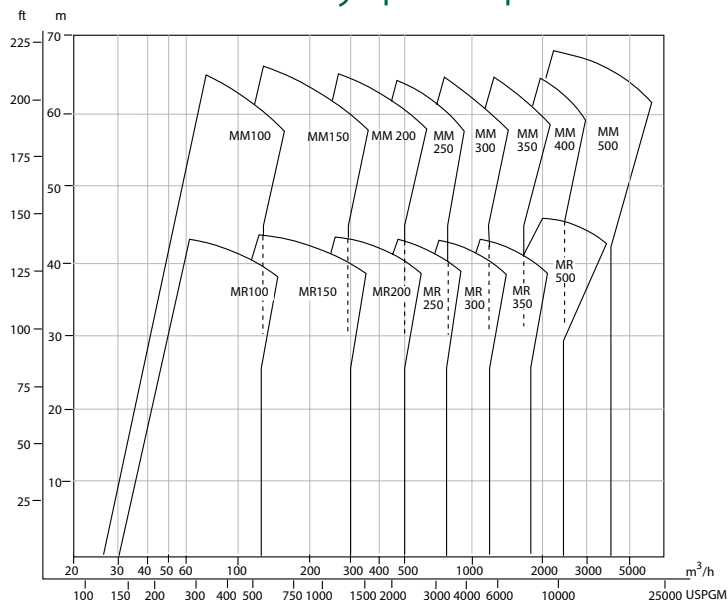


| Model   | Connection dimensions |        |        |        | General dimensions |        |      |        |      |        | Total weight* |      |
|---------|-----------------------|--------|--------|--------|--------------------|--------|------|--------|------|--------|---------------|------|
|         | Inlet                 |        | Outlet |        | H                  |        | L    |        | W    |        | kg            | lbs  |
|         | mm                    | inches | mm     | inches | mm                 | inches | mm   | inches | mm   | inches |               |      |
| HM50 ●  | 50                    | 2      | 32     | 1,5    | 433                | 17     | 713  | 28     | 360  | 14     | 160           | 353  |
| HM75 ●  | 75                    | 3      | 50     | 2      | 438                | 17     | 734  | 29     | 360  | 14     | 200           | 441  |
| HM100 ● | 100                   | 4      | 75     | 3      | 505                | 20     | 880  | 35     | 424  | 17     | 320           | 705  |
| HM150 ● | 150                   | 6      | 100    | 4      | 630                | 25     | 1025 | 40     | 545  | 21     | 550           | 1213 |
| HM200   | 200                   | 8      | 150    | 6      | 855                | 34     | 1258 | 50     | 686  | 27     | 1220          | 2690 |
| HM250   | 250                   | 10     | 200    | 8      | 1030               | 41     | 1463 | 58     | 830  | 33     | 2040          | 4497 |
| HM300   | 300                   | 12     | 250    | 10     | 1150               | 45     | 1591 | 63     | 1000 | 39     | 2850          | 6283 |
| HR50    | 50                    | 2      | 32     | 1,5    | 428                | 17     | 709  | 28     | 360  | 14     | 180           | 397  |
| HR75    | 75                    | 3      | 50     | 2      | 463                | 18     | 729  | 29     | 360  | 14     | 220           | 485  |
| HR100   | 100                   | 4      | 75     | 3      | 555                | 22     | 913  | 36     | 424  | 17     | 330           | 728  |
| HR150   | 150                   | 6      | 100    | 4      | 713                | 28     | 1097 | 43     | 545  | 21     | 630           | 1389 |
| HR200   | 200                   | 8      | 150    | 6      | 965                | 38     | 1295 | 51     | 686  | 27     | 1250          | 2756 |
| HR250   | 250                   | 10     | 200    | 8      | 1125               | 44     | 1550 | 61     | 830  | 33     | 2110          | 4652 |

\* Bare shaft pump weight

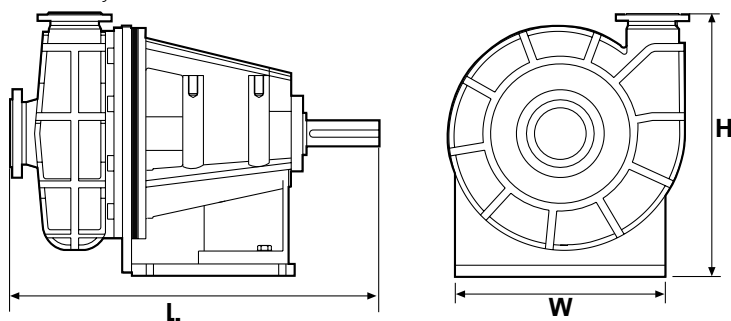
● These pumps are available with fully recessed induced vortex impeller.

# Selection of pump size for the mining duty rubber lined and hard metal slurry pumps



## Pump dimensions

Double adjustment frame



| Model   | Connection dimensions |        |        |        | General dimensions |        |       |        |       |        | Total weight*     |       |
|---------|-----------------------|--------|--------|--------|--------------------|--------|-------|--------|-------|--------|-------------------|-------|
|         | Inlet                 |        | Outlet |        | H                  |        | L     |        | W     |        | Double adjustment |       |
|         | mm                    | inches | mm     | inches | mm                 | inches | mm    | inches | mm    | inches | kg                | lbs   |
| MM100 ● | 100                   | 4      | 75     | 3      | 454                | 18     | 730   | 29     | 360   | 14     | 230               | 507   |
| MM150 ● | 150                   | 6      | 100    | 4      | 527                | 21     | 889   | 35     | 424   | 17     | 370               | 816   |
| MM200 ● | 200                   | 8      | 150    | 6      | 710                | 28     | 1 073 | 42     | 545   | 21     | 650               | 1 433 |
| MM250   | 250                   | 10     | 200    | 8      | 885                | 35     | 1 245 | 49     | 686   | 27     | 1 350             | 2 976 |
| MM300   | 300                   | 12     | 250    | 10     | 1 055              | 42     | 1 483 | 58     | 830   | 33     | 2 150             | 4 740 |
| MM350   | 350                   | 14     | 300    | 12     | 1 080              | 43     | 1 527 | 60     | 830   | 33     | 2 300             | 5 071 |
| MM400   | 400                   | 16     | 350    | 14     | 1 250              | 49     | 1 620 | 64     | 1 000 | 39     | 3 000             | 6 614 |
| MM500   | 500                   | 20     | 450    | 18     | 1 726              | 68     | 2 180 | 86     | 1 110 | 44     | —                 | —     |
| MM600   | 600                   | 24     | 500    | 20     | 2075               | 81.7   | 2352  | 93     | 1204  | 47     | —                 | —     |
| MR100   | 100                   | 4      | 75     | 3      | 456                | 18     | 741   | 29     | 360   | 14     | 260               | 573   |
| MR150   | 150                   | 6      | 100    | 4      | 507                | 20     | 919   | 36     | 424   | 17     | 420               | 926   |
| MR200   | 200                   | 8      | 150    | 6      | 683                | 27     | 1 092 | 43     | 545   | 21     | 740               | 1 631 |
| MR250   | 250                   | 10     | 200    | 8      | 878                | 35     | 1 303 | 51     | 686   | 27     | 1 540             | 3 395 |
| MR300   | 300                   | 12     | 250    | 10     | 1 035              | 41     | 1 506 | 59     | 830   | 33     | 2 450             | 5 401 |
| MR350   | 350                   | 14     | 300    | 12     | 1 257              | 49     | 1 665 | 66     | 1 000 | 39     | —                 | —     |
| MR500   | 489                   | 20     | 438    | 18     | 2 064              | 81     | 2 689 | 106    | 1 204 | 47     | —                 | —     |

\*Bare shaft pump weight

● These pumps are available with fully recessed induced vortex impeller.

- **Metso Minerals (Sweden) AB**  
Norrängsgatan 2, SE-733 38 Sala, Sweden, Phone: +46 224 570 00, Fax: +46 224 169 50
- **Metso Minerals Industries Inc.**  
4820 Centennial Blvd, Suite 115, Colorado Springs, Co 80919-3351, USA, Phone: +1 719 471 3443, Fax: +1 719 471 4469
- **Metso Minerals Industries Inc.**  
P.O. Box 96, Birmingham, AL 35201, USA, Phone: +1 205 599 6600, Fax: +1 205 599 6623
- **Metso Minerals (South Africa) (Pty) Ltd.**  
Private Bag X2006, 1600 Isando, Johannesburg, South Africa, Phone: +27 11 9614 000, Fax: +27 11 397-5087
- **Metso Minerals (Australia) Ltd.**  
Level 2, 1110 Hay Street, West Perth, WA 6005, Australia, Phone: +61 8 9420 5555, Fax: +61 8 9320 2500
- **Metso Minerals (India) Pvt Ltd**  
1th floor, Building No. 10, Tower A, DLF Cyber City, Phase - II, Gurgaon - 122 002, Haryana, India, Phone: +91 124 235 1541, Fax: +91 124 235 1601
- **Metso Perú S.A.**  
Calle Vulcano Nro. 156, Urb. Vulcano, Ate, Lima 03, Peru, Phone: +51 1 313 4366, Fax: +51 1 349 0913
- **Metso Minerals (Chile) S.A.**  
Av. Los Conquistadores 2758, 7500 000, Santiago, Chile, Phone: +56 2 370 2000, Fax: +56 2 370 2039
- **Metso Brasil Indústria e Comércio Ltda.**  
Av. Independência, 2500 Éden, 18087-101 Sorocaba-SP - Brazil, Phone: +55 15 2102 1709



www.metso.com  
E-mail: minerals.info@metso.com  
Pumps information at  
www.metso.com/pumps