

4" (DN 100) AZFRL Model B Fire-Tite® Bottom Unloading Valves

Installation, Maintenance and
Operating Instructions

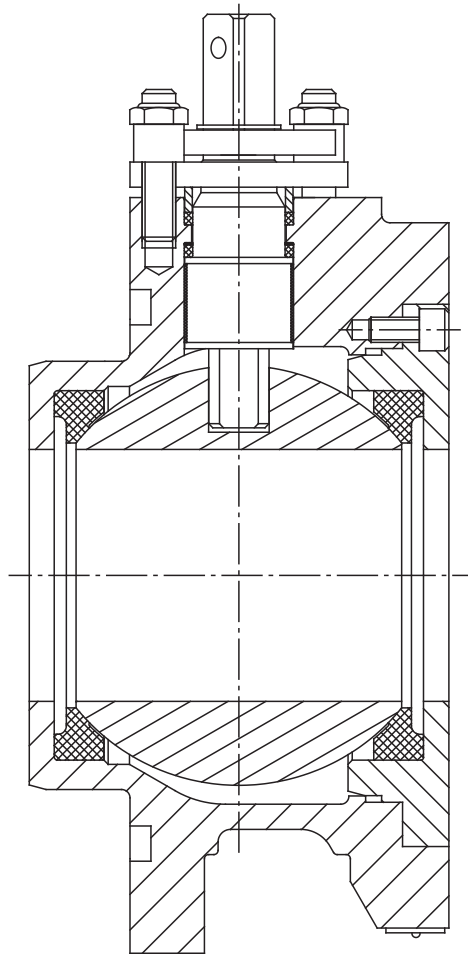


Table of Contents

1	GENERAL	3
1.1	Warning	3
2	INSTALLATION	3
3	MAINTENANCE	3
3.1	General	3
3.2	Disassembly	3
3.3	Assembly	4
4	REPAIR KITS/SPARE PARTS	5

READ THESE INSTRUCTIONS FIRST!

These instructions provide information about safe handling and operation of the valve.
If you require additional assistance, please contact the manufacturer or manufacturer's representative.
Addresses and phone numbers are printed on the back cover.
See also www.metso.com/valves for the latest documentation.

SAVE THESE INSTRUCTIONS!

Subject to change without notice.
All trademarks are property of their respective owners.

1 GENERAL

This instruction manual contains important information regarding the installation, maintenance and operation of the Jamesbury® 4" (DN 100) AZFRL Model B Tank Car *Fire-Tite* bottom unloading valves. Please read these instructions carefully and save them for future reference. For similar instructions for 4" (DN 100) AZFRL Model A, consult IMO-R5.

1.1 WARNING

FOR YOUR SAFETY, IT IS IMPORTANT THAT THE FOLLOWING PRECAUTIONS BE TAKEN PRIOR TO REMOVAL OF THE VALVE FROM THE LINE OR BEFORE ANY DISASSEMBLY.

1. WEAR ANY PROTECTIVE CLOTHING OR EQUIPMENT NORMALLY REQUIRED WHEN WORKING WITH THE FLUID INVOLVED.
2. DEPRESSURIZE THE LINE AND CYCLE THE VALVE AS FOLLOWS:
 - A. PLACE THE VALVE IN THE OPEN POSITION AND DRAIN THE LINE.
 - B. CYCLE THE VALVE TO RELIEVE RESIDUAL PRESSURE IN THE BODY CAVITY BEFORE REMOVAL FROM THE LINE.
 - C. AFTER REMOVAL AND BEFORE ANY DISASSEMBLY, CYCLE THE VALVE AGAIN SEVERAL TIMES.
3. SEAT AND BODY RATINGS - THE PRACTICAL AND SAFE USE OF THIS PRODUCT IS DETERMINED BY BOTH THE SEAT AND BODY RATINGS. THIS PRODUCT IS AVAILABLE WITH A VARIETY OF SEAT MATERIALS. SOME OF THE SEAT MATERIALS HAVE PRESSURE RATINGS THAT ARE LESS THAN THE BODY RATINGS. ALL OF THE BODY AND SEAT RATINGS ARE DEPENDENT ON VALVE TYPE, SIZE, SEAT MATERIAL AND TEMPERATURE. DO NOT EXCEED THESE RATINGS.

2 INSTALLATION

Flow through these *Jamesbury* valves can be in either direction. In the case of a tongue and groove connection, however, the tongue is installed against the tank car.

Follow the recommended practices of the gasket manufacturer when tightening flange bolts.

If there is weepage past the stem seals upon installation, it means the valve may have been subject to wide temperature variations in shipment. Leaktight performance will be restored by a simple packing adjustment described in the **MAINTENANCE** Section.

3 MAINTENANCE

3.1 General

Good operating procedure requires periodic observation to ensure that the valve is functioning well. The frequency of observation will depend on the application.

Stem Packing Adjustment

Routine maintenance consists of tightening the hex nuts (10) periodically to compensate for the wear caused by the stems turning against the resilient PTFE seals. Tighten the nuts equally 1/2 turn. If weepage still occurs, tighten another 1/2 turn.

Overhaul maintenance consists of replacing seats and seals. A standard service kit consisting of these parts may be obtained through your Metso Automation Distributor. (See **Table 1**) for the applicable Service Kit.

TABLE 1	
SERVICE KITS	
PTFE Seats	RKR3TT

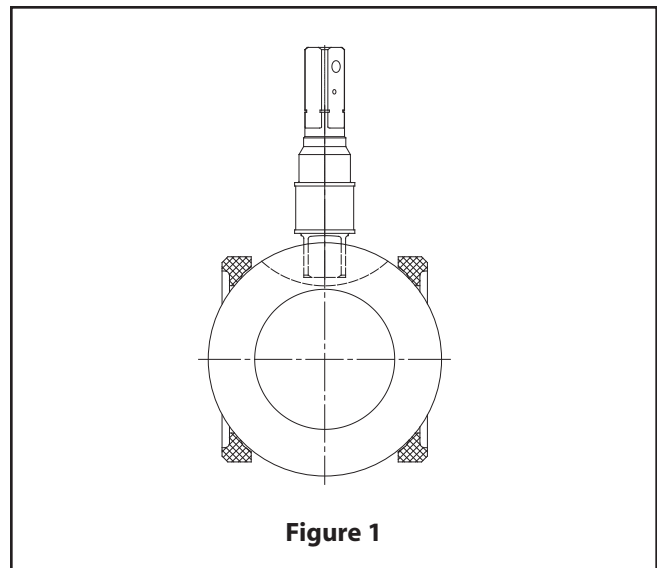
3.2 Disassembly

1. Read the instructions in the **WARNING** Section.
2. Place the valve in the closed position.
3. Remove the handle pin (28) and handle (15), if so equipped.
4. Remove the retaining ring (21), hex nuts (10), indicator stop (12), bonnet plate (9) and compression ring (18).
5. Remove the socket head cap screws (20). Remove the insert out of the body by tightening the set screws (26) evenly and alternately until the insert can be removed by hand.
6. Lift out the body seal (6) and the seat (5), if the seat did not come out with the insert (2), lift out the ball (3).
7. Carefully remove the bottom seat (5) from the body cavity being careful not to scratch the seat sealing surface in the body.
8. Remove the stem (4) by pressing it into the valve body cavity. It may be necessary to tap it with a piece of wood or some other soft material.
9. Carefully remove and discard the upper and lower stem seals (7) and the secondary stem seal (13) and the stem bearing (11) being careful not to scratch any sealing surfaces of the body or stem.

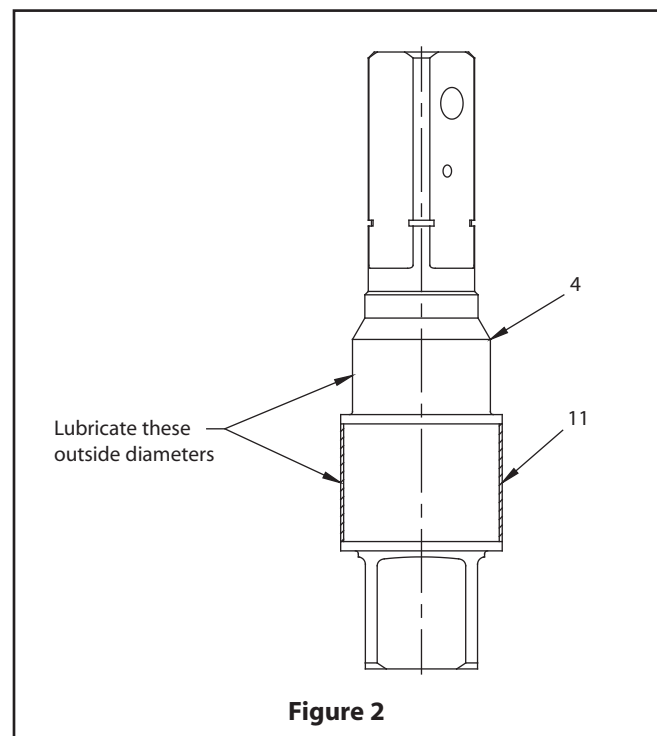
3.3 Assembly

A good lubricant compatible with the commodity should be applied to seats, seals, ball and stem to facilitate assembly and for ease of initial operation.

- Slide the first seat (5) into the body (1) to below the stem opening and tilt it into place so that the proper face will come into contact with the ball (3) (**see Figure 1**). Do not scratch or cut the seat faces.
- From inside the valve body cavity, insert the secondary stem seal (13) and lower stem seal (7).
- Assemble the stem (4) and stem bearing (11) as shown in (**Figure 2**). Lubricate as noted with compatible lubricant. Install the stem/stem bearing assembly into the body from inside the body (1), being careful not to scratch the stem seals and press it up into the stem bore until it is firmly seated against the lower stem seals (13 & 7). Exercise caution that the stem bearing (11) remains in place on the stem as it is being installed into the body stem bore.
- Holding the stem in place from the bottom, insert the upper stem seal (7) over the stem and into the body stem bore.
- Place the compression ring (18) on the stem and fit the bonnet plate (9) over the stem and the two bonnet studs.
- Place one stop sleeve (14) and one bonnet nut (10) onto each bonnet stud.
- Tighten each bonnet nut (10) evenly and alternately until contact is made with the bonnet plate (9). Then with a torque wrench, evenly apply 70 – 80 IN•LBS (8 – 9 N•m) of torque to each nut.
- Place the indicator stop (12) over the stem (4). A tamper-proof pin in the stem will allow the indicator stop onto the stem only one way. At this point, the stem with the indicator stop mounted and located between stop sleeves (14) is positioned so that a counterclockwise rotation of the stem will open the valve. For valves with "FO" option, the indicator stop (12) is marked with "FO". When placing indicator stop over stem, "FO" marking shall be face up. At this point, the stem with the indicator stop mounted and located between the stop bushing is positioned so clockwise rotation of the stem will open the valve.
- Place the retaining ring (32) over the stem and into the groove on the stem.
- Insert the ball (3) rotating it onto the stem (4) in the closed position. If necessary, turn the stem blade to align with the ball slot.



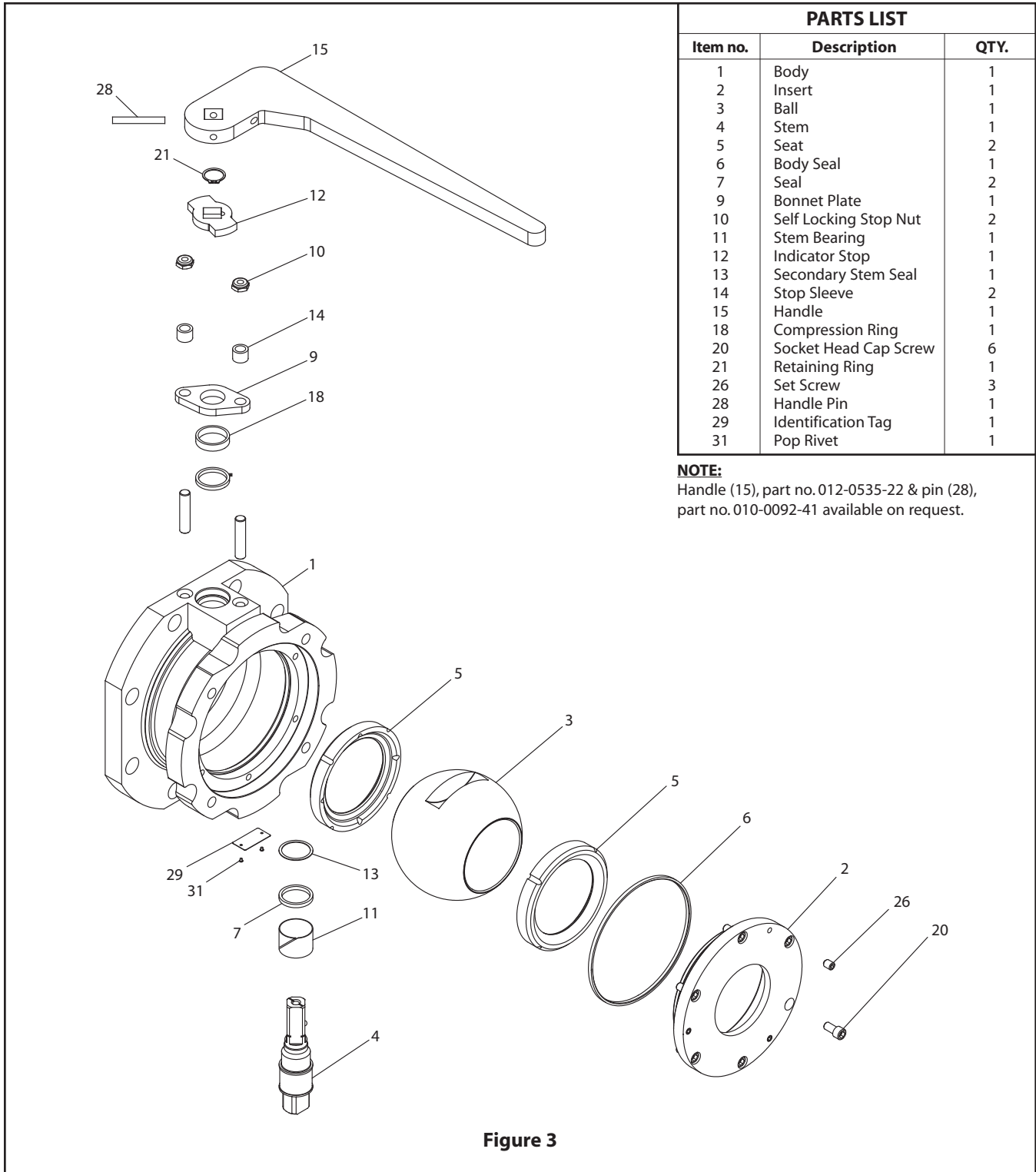
- Insert the second seat (5) into the insert (2) so that the proper face will come in contact with the ball (3). Insert body seal (6) into the body with the chamfer on the I.D. facing away from the ball.
- Adjust the set screws (26) so that they do not protrude through the insert or above the insert face.
- Fit the insert (2) into the valve body, aligning the mounting holes in the insert with the threaded holes in the body.
- Compress the insert into the body with the socket head cap screws (20) by tightening them evenly and alternately until the insert is bottomed and all the cap screws are tight.



- 15. Replace the handle (15), if present, and fasten to the stem using the handle pin (28).
- 16. Cycle the valve slowly with a gentle back and forth motion to build gradually to the full quarter turn. A fast turning motion at this point may cut the seats before they have a chance to form the proper seal.

4 REPAIR KITS/SPARE PARTS

For further information on spare parts and service or assistance visit our web-site at www.metso.com/valves.



Subject to change without prior notice.

Metso Automation Inc.

Europe, Vanha Porvoontie 229, P.O. Box 304, FI-01301 Vantaa, Finland, Tel. +358 20 483 150, fax +358 20 483 151

North America, 44 Bowditch Drive, P.O. Box 8044, Shrewsbury, Massachusetts, 01545-8044, USA, Tel. +1 508 852 0200, fax +1 508 852 8172

South America, Av. Independência, 2500-Iporanga, 18087-101, Sorocaba-São Paulo, Brazil, Tel. +55 15 2102 9700, fax +55 15 2102 9748/49

Asia Pacific, 20 Kallang Avenue, Lobby B, #06-00, PICO Creative Centre, Singapore 339411, Singapore, Tel. +65 6511 1011, fax +65 6250 0830

China, 19/F, the Exchange Beijing, No. 118, Jianguo Lu Yi, Chaoyang Dist, 100022 Beijing, China, Tel. +86-10-6566-6600, fax +86-10-6566-2575

Middle East, Roundabout 8, Unit AB-07, P.O. Box 17175, Jebel Ali Freezone, Dubai, United Arab Emirates, Tel. +971 4 883 6974, fax +971 4 883 6836

www.metso.com/valves

