

2-Piece Thread-end Series 6F Value-Line® Ball Valves

1/2" – 3" (DN50 - 80)

Installation, Maintenance and
Operating Instructions

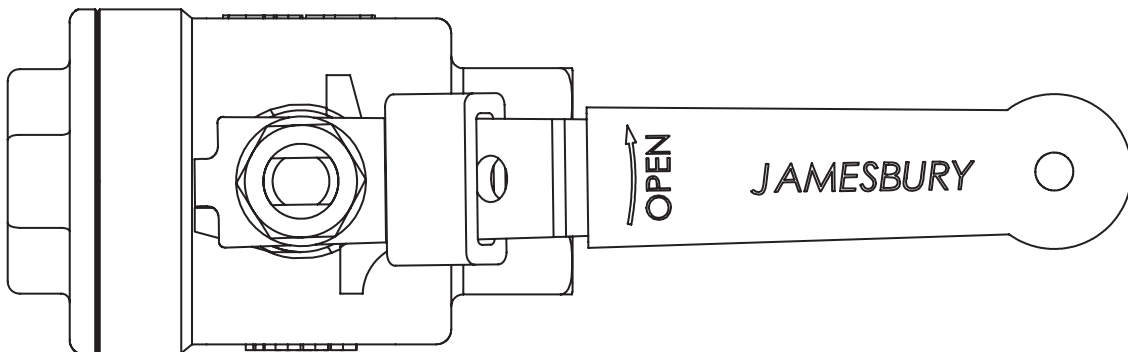


TABLE OF CONTENTS

1. GENERAL.....	3
1.1 Scope of the Manual	3
1.2 Valve Markings	3
1.3 Safety Precautions.....	4
2. TRANSPORTATION AND STORAGE.....	4
3. INSTALLATION	4
3.1 General	4
3.2 Handles	5
3.3 Commissioning	5
4. MAINTENANCE	5
4.1 General	5
4.2 Disassembly.....	5
4.3 Assembly	5
4.4 Pressure Testing the Valve	6
5. REPAIR KITS	6
6. SERVICE / SPARE PARTS	6
7. EXPLODED VIEW.....	7
8. PARTS LIST	7

READ THESE INSTRUCTIONS FIRST!

These instructions provide information about safe handling and operation of the valve.
 If you require additional assistance, please contact the manufacturer or manufacturer's representative.
 Addresses and phone numbers are printed on the back cover.
 See also www.metso.com/valves for the latest documentation.

SAVE THESE INSTRUCTIONS!

1. GENERAL

1.1 Scope of the Manual

This instruction manual contains important information regarding the installation, operation and maintenance of the Jamesbury® 1/2" – 3" (DN 50 - 80) Full Bore; Series 6F *Value-Line* Thread-end Ball Valves. Please read these instructions carefully and save them for future reference.

WARNING:

THE USE OF A VALVE IS APPLICATION SPECIFIC. BE SURE THE VALVE IS SUITABLE FOR ITS INTENDED SERVICE. IF YOU HAVE ANY QUESTION OR DOUBT, ASK YOUR SUPERVISOR. MIS-APPLIED VALVES CAN RESULT IN THE SUDDEN RELEASE OF PRESSURE, DAMAGE OR PERSONAL INJURY.

1.2 Valve Markings

The valve has an identification marking stamped on bottom of valve. (See **Figure 1**)

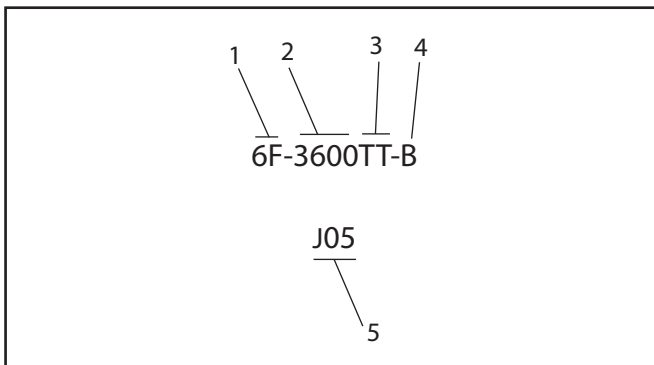


Figure 1 Valve ID

Identification markings:

1. Valve Series
2. Body/Trim Material
3. Seat/Seal Material
4. Model
5. Assembly date

The valve also has marking cast into the sides of the valve. On one side is cast the valve cold working pressure (CWP) in psi. (See **Figure 2**)



Figure 2 Valve Rating

On the opposite side of the valve is the cast in size and body material. (See **Figure 3**)



Figure 3 Size/Material

1.3 Safety Precautions

WARNING:

DOUBLE-SEATED BALL VALVE DESIGNS, LIKE THE SERIES 6F, CAN UNDER CERTAIN CONDITIONS TRAP FLUID IN THE BALL CAVITY. RAISING THE TEMPERATURE OF THE TRAPPED FLUID CAUSES THE INTERNAL VALVE PRESSURE TO RISE. EXTREME TEMPERATURE RISE CAN BUILD UP EXCESSIVE PRESSURE WHICH COULD LEAD TO UNCONTROLLED PRESSURE RELEASE. DAMAGE OR PERSONAL INJURY MAY RESULT!

WARNING:

DO NOT EXCEED THE VALVE PERFORMANCE LIMITATIONS!

EXCEEDING THE PRESSURE OR TEMPERATURE LIMITATIONS MARKED ON THE VALVE IDENTIFICATION PLATE, OR BODY, MAY CAUSE DAMAGE AND LEAD TO UNCONTROLLED PRESSURE RELEASE. DAMAGE OR PERSONAL INJURY MAY RESULT!

WARNING:

SEAT AND BODY RATINGS! (NON-ASME RATED VALVES)

THE PRACTICAL AND SAFE USE OF THIS PRODUCT IS DETERMINED BY BOTH THE CWP RATINGS: CAREFULLY CHECK BOTH RATINGS. THIS IS THE SAFE USE PRESSURE FOR THE VALVE BETWEEN -20 TO 100 °F (-29 TO 38 °C). **DO NOT EXCEED THESE RATINGS!** FOR INSTALLATION TEMPERATURES BELOW AND ABOVE THESE LIMITS, CONTACT METSO.

WARNING:

BEWARE OF BALL MOVEMENT!

KEEP HANDS, OTHER PARTS OF THE BODY, TOOLS AND OTHER OBJECTS OUT OF THE OPEN FLOW PORT. LEAVE NO FOREIGN OBJECTS INSIDE THE VALVE OR PIPELINE. WHEN THE VALVE IS ACTUATED, THE BALL FUNCTIONS AS A CUTTING DEVICE. DISCONNECT ANY PNEUMATIC SUPPLY LINES, ANY ELECTRICAL POWER SOURCES AND MAKE SURE SPRINGS IN SPRING RETURN ACTUATORS ARE IN THE FULL EXTENDED/RELAXED STATE BEFORE PERFORMING AND VALVE MAINTENANCE. FAILURE TO FOLLOW THESE INSTRUCTIONS MAY RESULT IN DAMAGE OR PERSONAL INJURY!

WARNING:

BEWARE OF NOISE EMISSIONS!

THE VALVE MAY PRODUCE NOISE IN THE PIPELINE. THE NOISE LEVEL DEPENDS ON THE APPLICATION. OBSERVE THE RELEVANT WORK ENVIRONMENT REGULATIONS ON NOISE EMISSION.

2. TRANSPORTATION AND STORAGE

Check the valve for any damage that may have occurred during transport.

Store the valve carefully. Storage indoors in a dry place is recommended.

Do not remove the flow port protectors until installing the valve.

Move the valve to its intended location just before installation.

The valve is usually delivered in the open position.

3. INSTALLATION

3.1 General

Remove the protective packaging and flow port protectors and check that the valve is clean inside. Clean valve if necessary.

Flush the pipeline carefully before installing the valve. Foreign objects, such as sand or pieces of welding electrodes, will damage the ball and seats.

Read and follow all **WARNINGS!**

Refer to the Section 4, **MAINTENANCE** for stem seal adjustment. If there is weepage past the stem seals upon installation, it means the valve may have been subject to wide temperature variations in shipment. Leak-tight performance will be restored by a simple stem seal adjustment described in the **MAINTENANCE** section.

WARNING:

SERIES 6F VALVES ARE DESIGNED FOR MANUAL USE ONLY AND ARE NOT INTENDED FOR AUTOMATION! DO NOT FABRICATE OR ADD ON ANY TYPE OF AUTOMATING ACCESSORY.

Thread-end valves like the Series 6F have NPT threads. To insure a leak tight joint, liberal use of a compatible pipe joint compound is necessary.

WARNING:

ANY COMPOUND OR LUBRICANT USED ON THREADS SHALL BE SUITABLE FOR THE SERVICE CONDITIONS AND SHALL NOT REACT UNFAVORABLY WITH EITHER THE SERVICE FLUID OR THE PIPING MATERIAL.

Flow through the *Jamesbury* Series 6F valve can be in either direction, but the preferred method to install the valve is with the insert end upstream.

Use standard piping practices when installing the valves with threaded connections. When tightening the valve to the pipe, apply the wrench to the end nearest the pipe being worked.

3.2 Handles

If the Series 6F valve handle (15) has to be removed for any reason, the handles must be remounted with the handle stop tang as shown in **Figure 5**.

WARNING:

FAILURE TO PROPERLY MOUNT THE HANDLE MAY RESULT IN IMPROPER VALVE OPERATION, DAMAGE OR PERSONAL INJURY MAY RESULT.

3.3 Commissioning

Ensure that there is no dirt or foreign objects left inside the valve or pipeline. Flush the pipeline carefully. Make sure that the valve is fully open when flushing.

WARNING:

GOOD PRACTICE DICTATES THAT ONCE INSTALLED, BUT PRIOR TO FIRST USE, THE VALVE IS LEAK TESTED IN PLACE TO ASSURE LEAK-TIGHTNESS HAS NOT BEEN COMPROMISED BY THE INSTALLATION PROCESS. INSTALLATION ACTIONS THAT CAN CAUSE LEAKAGE INCLUDE, BUT ARE NOT LIMITED TO; WRENCHING, SOLDERING, WELDING AND/OR HOISTING.

4. MAINTENANCE

4.1 General

Good operating procedure requires periodic observation to ensure that the valve is functioning well. The frequency of observation will depend on the application. Routine maintenance consists of tightening the lower stem nut (16) 1/4 turn periodically to compensate for wear caused by the stem turning against the seal. Loosen the upper stem nut (16) on top of the handle (15) before tightening the lower stem nut. Retighten the upper stem nut after tightening the lower stem nut. (See **Figure 5**)

WARNING:

FOR YOUR SAFETY, IT IS IMPORTANT THE FOLLOWING PRECAUTIONS BE TAKEN PRIOR TO REMOVAL OF THE VALVE FROM THE PIPELINE OR BEFORE ANY DISASSEMBLY:

1. BE SURE YOU KNOW WHAT FLUID IS IN THE PIPELINE. IF THERE IS ANY DOUBT, DOUBLE-CHECK WITH THE PROPER SUPERVISOR.
2. WEAR ANY PPE (PROTECTIVE CLOTHING OR EQUIPMENT) NORMALLY REQUIRED WHEN WORKING WITH THE FLUID INVOLVED.
3. DEPRESSURIZE THE PIPELINE AND CYCLE THE VALVE AS FOLLOWS:
 - A. PLACE THE VALVE IN THE OPEN POSITION AND DRAIN THE PIPELINE.
 - B. CYCLE THE VALVE TO RELIEVE RESIDUAL PRESSURE IN THE BODY CAVITY BEFORE REMOVAL FROM THE PIPELINE.
 - C. AFTER REMOVAL AND BEFORE ANY DISASSEMBLY, CYCLE THE VALVE AGAIN SEVERAL TIMES.

4.2 Disassembly

NOTE: If complete disassembly becomes necessary, replacement of all seats and seals is recommended. Refer to (**Table 2**).

1. Close the valve. Then remove the upper stem nut (16), lockwasher (9), handle (15) and lower stem nut (16).
2. Remove the compression ring (18).
3. Unscrew and remove the body cap (2) and body seal (6). Heat may be required.

Wrenching here (Hex Flats) when installing or removing pipe this end.

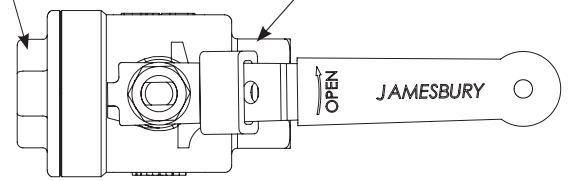


Figure 4

4. If the ball (3) and seats (5) do not fall from the body with the ball in the fully closed position, use a piece of wood or some other soft material to gently tap the ball (from the end opposite body cap). This will unseat these parts without damaging the ball.
5. Press the stem (4) from the top into the valve body and remove it through the body cap end of the body.
6. Using a wire brush, clean the body cap thread and body threads to remove any excess thread lock.
7. Discard the old stem seals (7), stem bearings (8) and Fire-Tite® bearing (13), if applicable. Be very careful not to scratch any sealing surfaces in the valve body (surfaces on which seats and seal rest).

4.3 Assembly

1. Clamping valve body (1) securely in a vise, drop in one seat (5) with the flat surface on the bottom.
2. Insert from the inside a stem bearing (8), a Fire-Tite seal (13), and another stem bearing (8) into the lower stem bore.
3. Insert the stem (4) through the open end of the body (1), being careful not to scratch the stem bearings and stem bearing surfaces. Press it gently up into the stem hole.
4. Holding the stem bearing in place from inside the valve, install two stem seals (7), the compression ring (18), and thread on one of the stem nuts (16) until the stem starts to turn.
5. Place a wrench through the body on the bottom of the stem blade to hold the stem stationary. Place another wrench on the stem nut (16), and turn the nut down until the seals bottom and the stem comes snugly in place. Tighten the stem nut (16) until snug, plus an additional 1/4 - 1/2 turn.
6. Align the stem blade inside the valve body (1) with the ball (3). Insert the ball (3) and rotate the stem (4) to the ball fully closed position.

7. Insert second seat (5) into the body (1) so that the sealing surface of the seat is towards the ball. Insert the body seal (6).
8. Apply Loctite® 272 or equivalent, one bead 360° around the body cap (2) covering a minimum of two threads.
9. Insert the body cap (2), screw it down and tighten to the required torque, (**see Table 1 for Body Cap Torque specifications**).

TABLE 1 Body Cap Assembly Torque	
Valve Size	Body Cap Torque
1/2" (DN 15)	100 lb-ft (136 Nm)
3/4" (DN 20)	150 lb-ft (203 Nm)
1" (DN 25)	225 lb-ft (305 Nm)
1-1/4" (DN 30)	275 lb-ft (373 Nm)
1-1/2" (DN 40)	350 lb-ft (475 Nm)
2" (Dn 50)	600 lb-ft (814 Nm)
3" (DN 80)	600 lb-ft (814 Nm)

10. Place the handle (15), lockwasher (9) and stem nut (16) over the stem (4). Tighten the stem nut (16) until snug.
11. Cycle the valve slowly twice to ensure permanent position of the ball between the two seats.

4.4 Pressure Testing the Valve

WARNING:

WHEN PRESSURE TESTING, EXERCISE CAUTION AND MAKE SURE ALL EQUIPMENT USED IS IN GOOD WORKING CONDITION AND APPROPRIATE FOR THE INTENDED PRESSURE.

If the valve is to be tested prior to returning to service, make sure the test pressures are in accordance with an applicable standard.

When testing the valve for external tightness, keep the ball in the half open position.

If testing the valve seat tightness, please contact Metso for advice.

WARNING:

WHEN PERFORMING ANY TESTS, NEVER EXCEED THE MAXIMUM OPERATING PRESSURE OR MAXIMUM SHUT-OFF PRESSURE LISTED ON THE IDENTIFICATION PLATE OR VALVE BODY!

5. REPAIR KITS

FIRE-TESTED Repair kits include two seats (5), two stem seals (7), two stem bearings (8), a secondary seal (13), and one body seal (6).

TABLE 2 Repair Kits		
Valve Size	T Seats	M Seats
1/2" (DN 15)	RKN107-TT	RKN107-MT
3/4" (DN 20)	RKN109-TT	RKN109-MT
1" (DN 25)	RKN110-TT	RKN110-MT
1-1/4" (DN 30)	RKN111-TT	RKN111-MT
1-1/2" (DN 40)	RKN112-TT	RKN112-MT
2" (DN 50)	RKN198-TT	RKN198-MT
3" (DN 80)	RKN225-TT	RKN225-MT

6. SERVICE / SPARE PARTS

We recommend that valves be directed to our service centers for maintenance. The service centers are equipped to provide rapid turn-around at a reasonable cost and offer new valve warranty with all reconditioned valves.

NOTE: When sending goods to the service center for repair, do not disassemble them. Clean the valve carefully and flush the valve internals. Include the material safety datasheet(s) (MSDS) for all media flowing through the valve. Valves sent to the service center without MSDS datasheet(s) will not be accepted.

For further information on spare parts and service or assistance visit our web-site at www.metso.com/valves.

NOTE: When ordering spare parts, always include the following information:

- a. Valve catalog code from identification plate,
- b. If the valve is serialized – the serial number (from identification plate)
- c. From **Figure 5**, the ballooned part number, part name and quantity required.

EXPLODED VIEW

Parts List		
ITEM	PART NAME	QTY.
1	Body	1
2	Body Cap	1
3	Ball	1
4	Stem	1
5	Seat	2
6	Body Seal	1
7	Stem Seal	2
8	Stem Bearing	2
9	Lockwasher	1
13	Sec. Stem Seal	1
15	Handle	1
16	Stem Nut	2
18	Comp. Ring	1

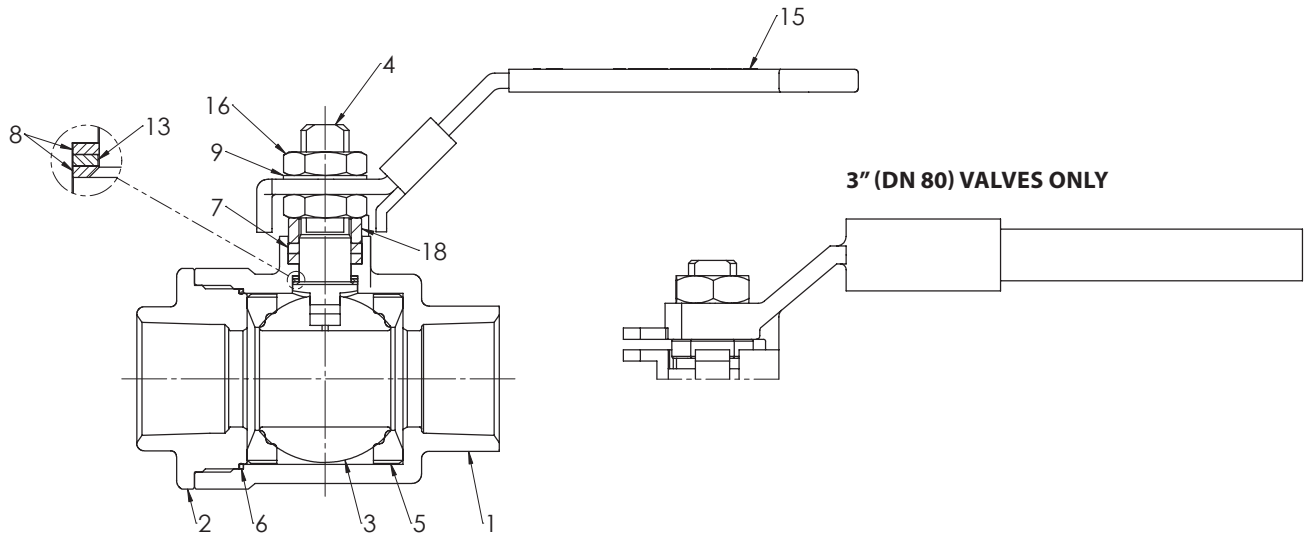


Figure 5

Subject to change without prior notice.

Metso Flow Control Inc.

Europe, Vanha Porvoontie 229, P.O. Box 304, FI-01301 Vantaa, Finland. Tel. +358 20 483 150. Fax +358 20 483 151

North America, 44 Bowditch Drive, P.O. Box 8044, Shrewsbury, M A 01545, USA. Tel. +1 508 852 0200. Fax +1 508 852 8172

South America, Av. Independência, 2500-Iporanga, 18087-101, Sorocaba-São Paulo, Brazil. Tel. +55 15 2102 9700. Fax +55 15 2102 9748

Asia Pacific, 238B Thomson Road, #17-01 Novena Square Tower B, Singapore 307685. Tel. +65 6511 1011. Fax +65 6250 0830

China, 11/F, China Youth Plaza, No.19 North Rd of East 3rd Ring Rd, Chaoyang District, Beijing 100020, China. Tel. +86 10 6566 6600. Fax +86 10 6566 2583

Middle East, Roundabout 8, Unit AB-07, P.O. Box 17175, Jebel Ali Freezone, Dubai, United Arab Emirates. Tel. +971 4 883 6974. Fax +971 4 883 6836

www.metso.com/valves

